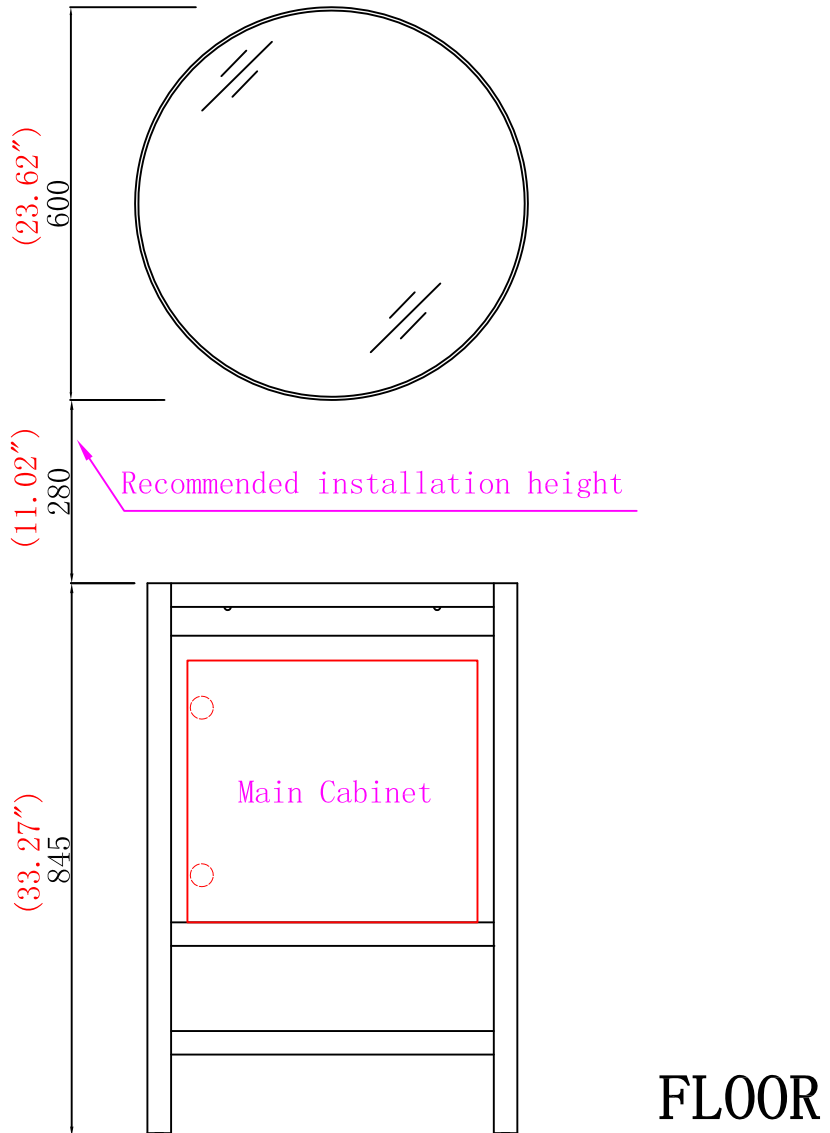







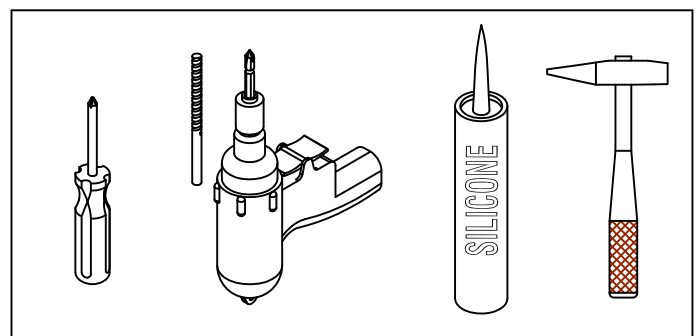
Item No. :RB24



Hardware

| NO. | Draw | QTY |
|-----|--|-----|
| A |  | 6 |
| B |  | 6 |
| C |  | 6 |
| D |  | 1 |
| F |  (3.5*60) | 1 |

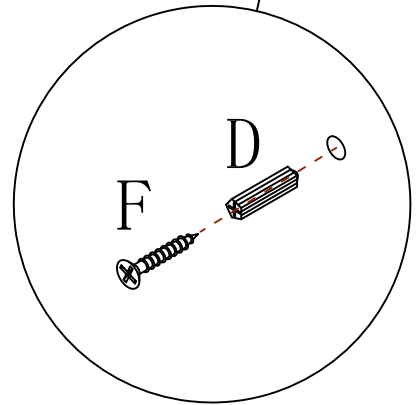
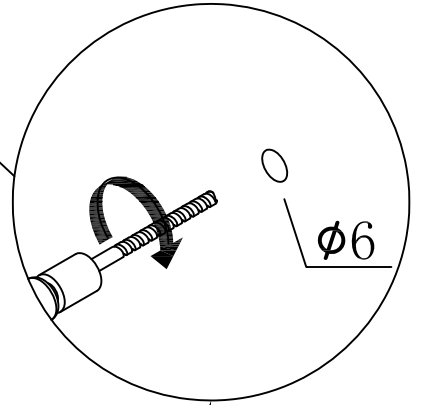
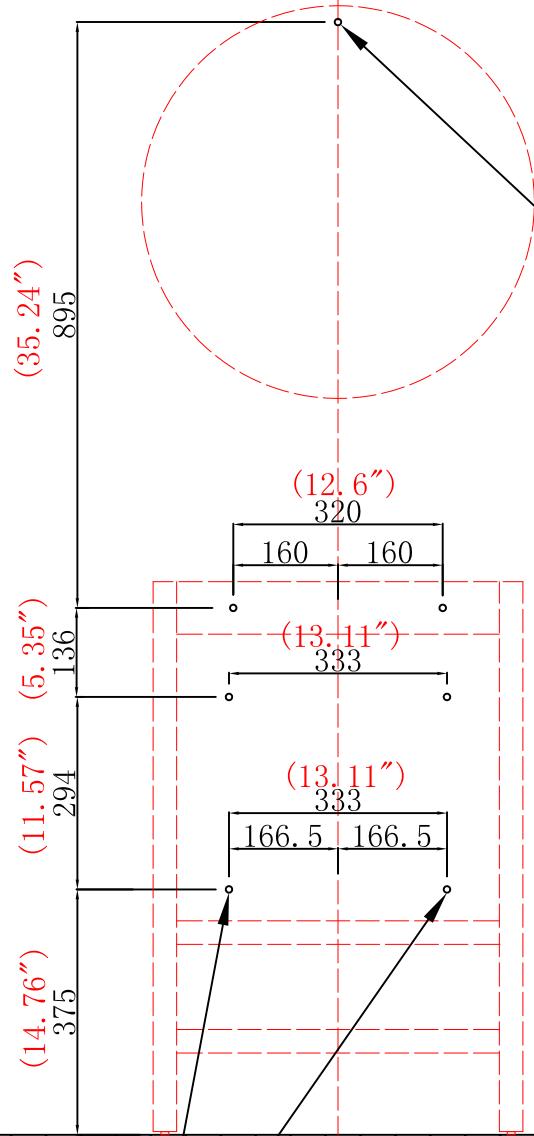
Tools



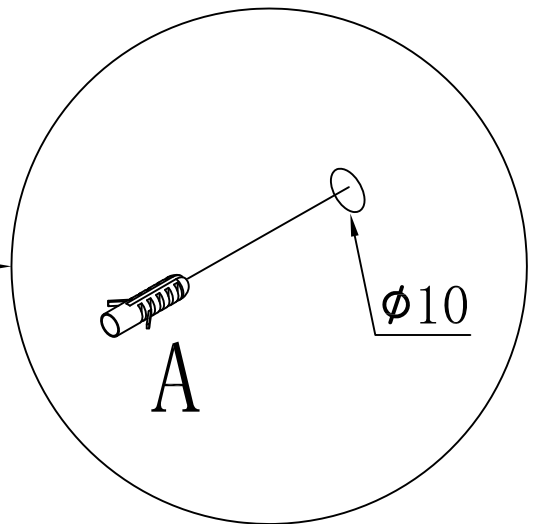
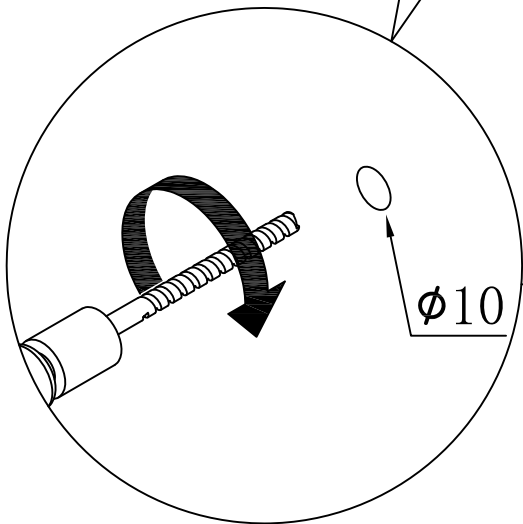
Step 1

WALL

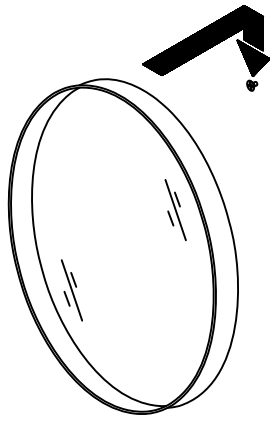
Center Line



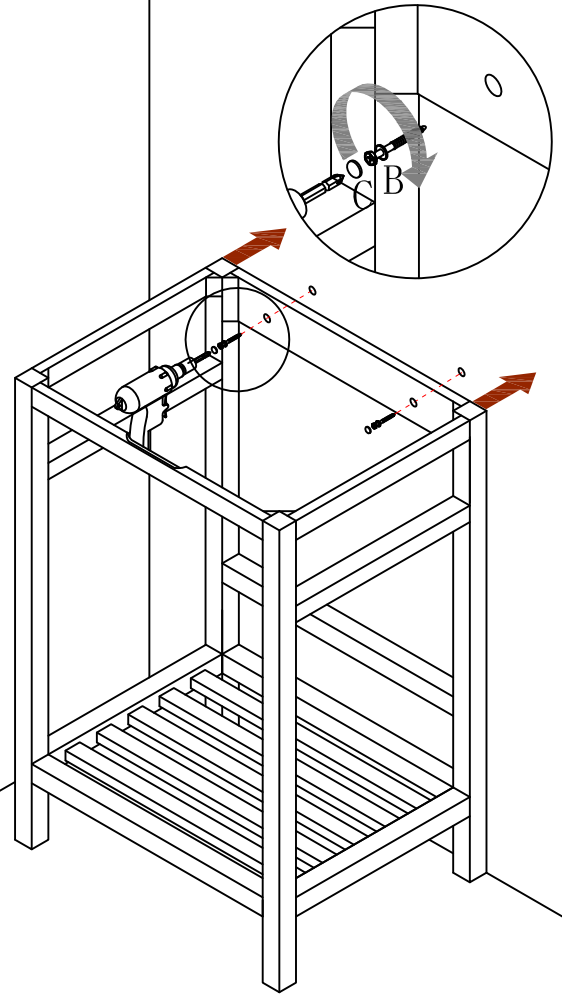
FLOOR



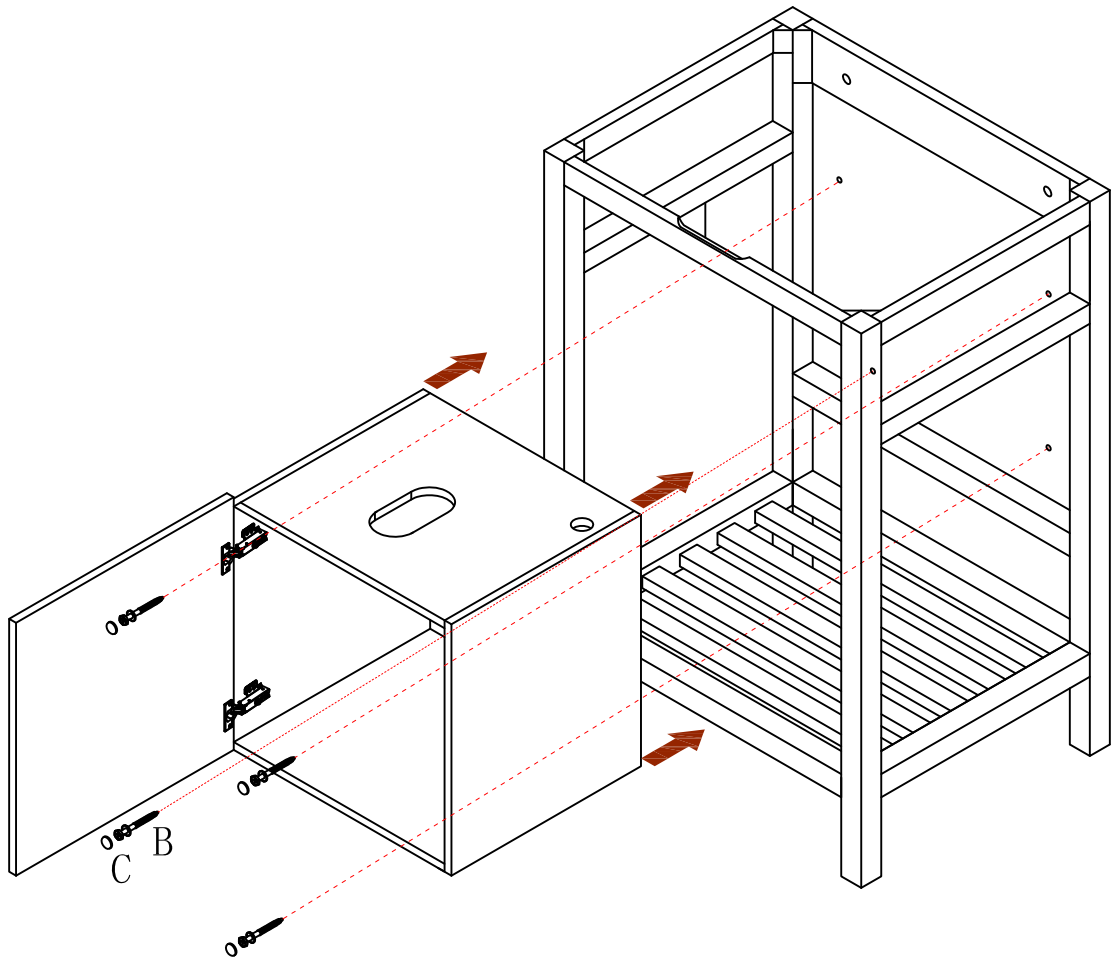
Step 2



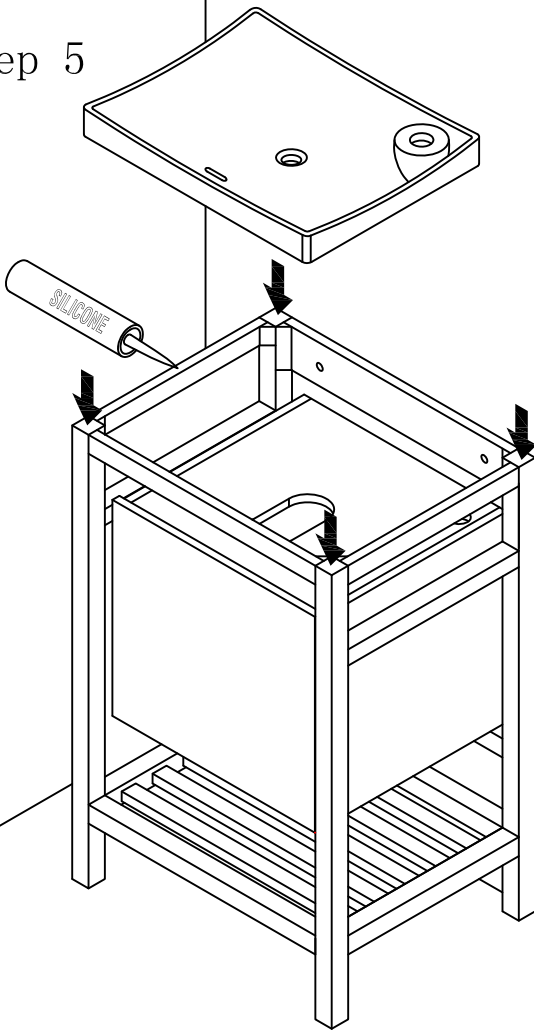
Step 3



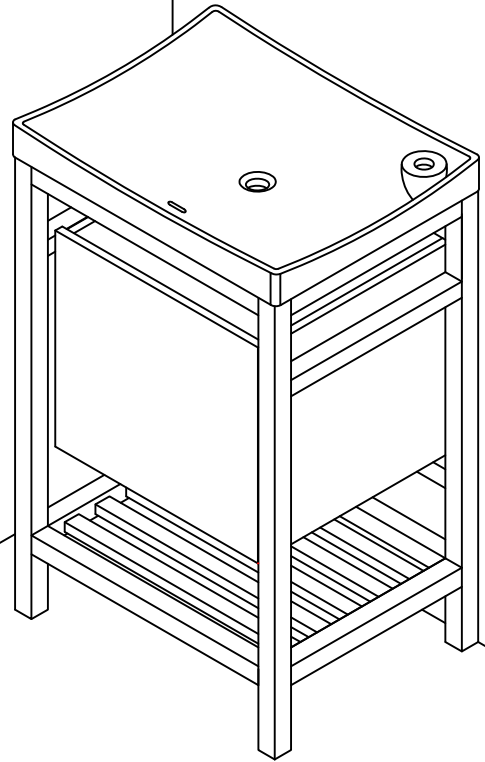
Step 4



Step 5



Step 6



Finished

